

FEATURES & CONSTRUCTION:

Our sink bowls are fully fabricated for consistent metal thickness throughout the bowls.

All corners are fashioned to have a 3/4" radius both vertically and horizontally.

Our top and bowl is constructed with a 1 1/2" raised-rolled edge and is 2" tall on front and both ends.

Our backsplash is 9" tall from the deck, with a 2" return at 45° and a standard 3/4" rear turn down. It includes (2) 1 1/8" dia. holes punched on 8" centers. (Bowls 20" wide or wider will receive (2) sets of holes on 8" centers.***)

A 1 1/2" NPS basket strainer per bowl is included.

WE OFFER TWO SERIES CHOICES:

Our **STANDARD SERIES** includes:

*16 Gauge Type 300 Series Stainless Steel Construction

*12" Bowl Depth

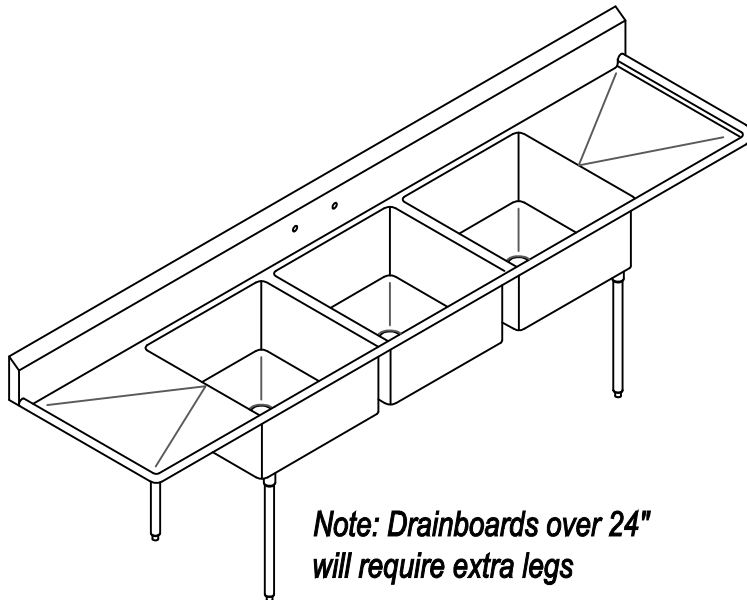
*Galvanized Legs with Adjustable Plastic Feet

Our **SPEC-LINE SERIES** includes:

*14 Gauge Type 300 Series Stainless Steel Construction

*14" Bowl Depth

*Stainless Steel H-Frame Legs with Adj. Stainless Steel Feet



*Note: Drainboards over 24"
will require extra legs*

STANDARD SIZES (in.)

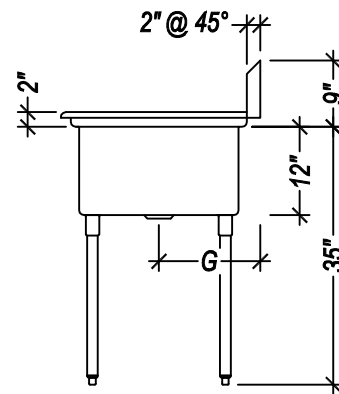
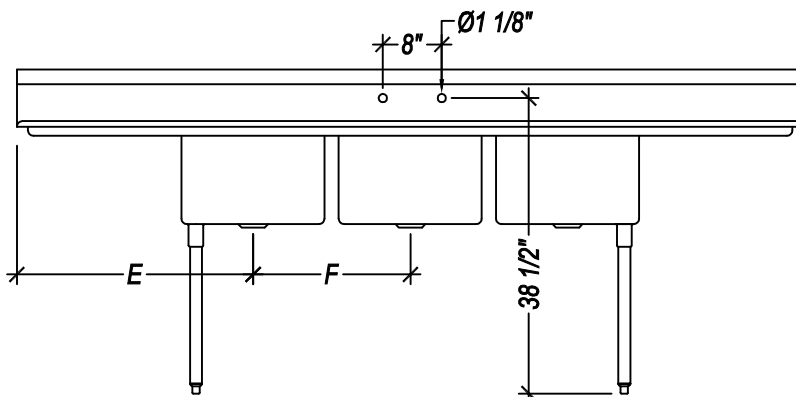
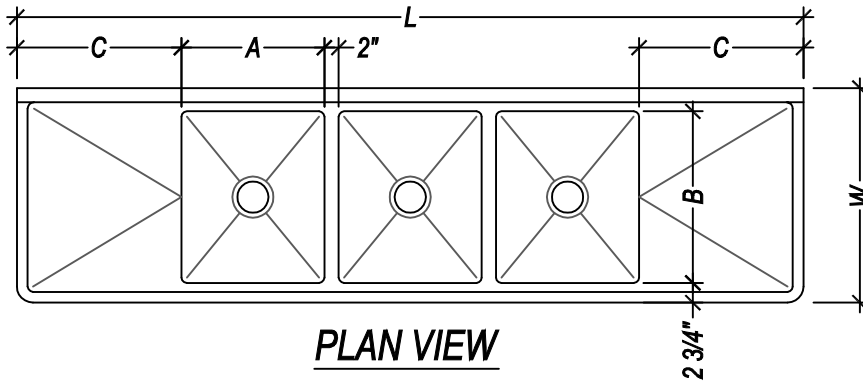
MODEL	BOWL	DRAINBOARD	LENGTH	WIDTH	HEIGHT
3B1618-2D18	16X18	18	88	24	44
3B1618-2D24	16X18	24	100	24	
3B1618-2D30	16X18	30	112	24	
3B18-2D18	18X18	18	94	24	
3B18-2D24	18X18	24	106	24	
3B18-2D30	18X18	30	118	24	
3B1824-2D18	18X24	18	94	30	
3B1824-2D24	18X24	24	106	30	
3B1824-2D30	18X24	30	118	30	
3B24-2D24***	24X24	24	124	30	
3B24-2D30***	24X24	30	136	30	
3B24-2D36***	24X24	36	148	30	
3B2028-2D20***	20X28	20	104	34	
3B2028-2D24***	20X28	24	112	34	
3B2028-2D30***	20X28	30	124	34	
3B2430-2D24***	24X30	24	124	36	
3B2430-2D30***	24X30	30	136	36	
3B2430-2D36***	24X30	36	148	36	
3B30-2D30***	30X30	30	154	36	
3B30-2D36***	30X30	36	166	36	

(Custom sizes are available.
Call us for details.)



SPECIFICATIONS

STANDARD THREE COMPARTMENT SINKS WITH TWO DRAINBOARDS



DIMENSIONS (in.)

**Weights shown are Standard Series.
See price lists for Spec-Line Series weights.

MODEL	A	B	C	E	F	G	L	W	APPROX. WT. (lbs.)**
3B1618-2D18	16	18	18	26	18	12-1/4	88	24	125
3B1618-2D24	16	18	24	32	18	12-1/4	100	24	130
3B1618-2D30	16	18	30	38	18	12-1/4	112	24	145
3B18-2D18	18	18	18	27	20	12-1/4	94	24	130
3B18-2D24	18	18	24	33	20	12-1/4	106	24	135
3B18-2D30	18	18	30	39	20	12-1/4	118	24	155
3B1824-2D18	18	24	18	27	20	15-1/4	94	30	175
3B1824-2D24	18	24	24	33	20	15-1/4	106	30	185
3B1824-2D30	18	24	30	39	20	15-1/4	118	30	205
3B24-2D24***	24	24	24	36	26	15-1/4	124	30	210
3B24-2D30***	24	24	30	42	26	15-1/4	136	30	230
3B24-2D36***	24	24	36	48	26	15-1/4	148	30	250
3B2028-2D20***	20	28	20	30	22	17-1/4	104	34	245
3B2028-2D24***	20	28	24	34	22	17-1/4	112	34	255
3B2028-2D30***	20	28	30	40	22	17-1/4	124	34	265
3B2430-2D24***	24	30	24	36	26	18-1/4	124	36	290
3B2430-2D30***	24	30	30	42	26	18-1/4	136	36	315
3B2430-2D36***	24	30	36	48	26	18-1/4	148	36	190
3B30-2D30***	30	30	30	45	32	18-1/4	154	36	210
3B30-2D36***	30	30	36	51	32	18-1/4	166	36	230

*To order Spec-Line Series, add a "14" to the end of the model number.
*Example "3B1824-2D24-14"

REV. 08-06-13