

FEATURES & CONSTRUCTION:

Our sink bowls are fully fabricated for consistent metal thickness throughout the bowls.

All corners are fashioned to have a 3/4" radius both vertically and horizontally.

Our top and bowl is constructed with a 1 1/2" raised-rolled edge and is 2" tall on front and both ends.

Our backsplash is 9" tall from the deck, with a 2" return at 45° and a standard 3/4" rear turn down. It includes (4) 1 1/8" dia. faucet holes punched on 8" centers.

A 1 1/2" NPS basket strainer per bowl is included.

WE OFFER TWO SERIES CHOICES:

Our **STANDARD SERIES** includes:

*16 Gauge Type 300 Series Stainless Steel Construction

*12" Bowl Depth

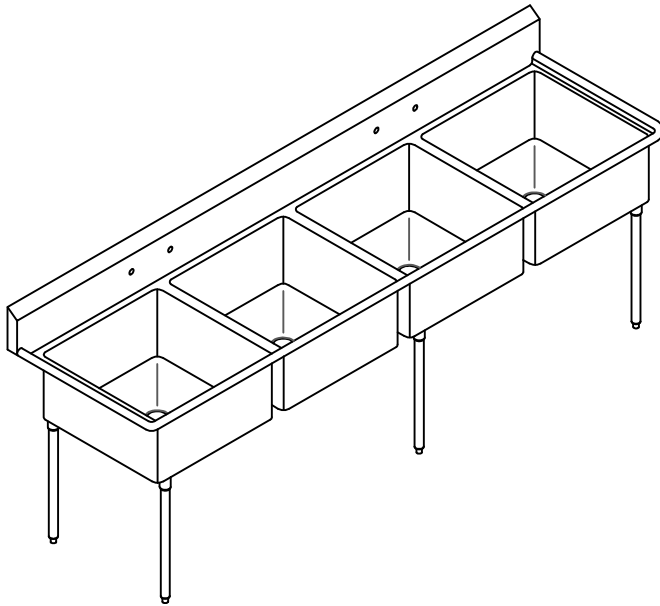
*Galvanized Legs with Adjustable Plastic Feet

Our **SPEC-LINE SERIES** includes:

*14 Gauge Type 300 Series Stainless Steel Construction

*14" Bowl Depth

*Stainless Steel H-Frame Legs with Adj. Stainless Steel Feet


STANDARD SIZES (in.)

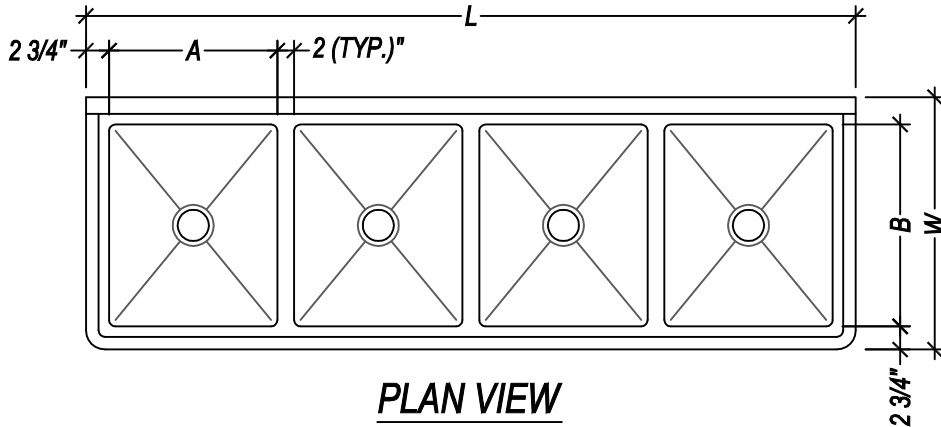
MODEL	BOWL	LENGTH	WIDTH	HEIGHT
4B1618	16X18	75-1/2	24	44
4B18	18X18	83-1/2	24	
4B1824	18X24	83-1/2	30	
4B24	24X24	107-1/2	30	
4B2028	20X28	91-1/2	34	
4B2430	24X30	107-1/2	36	
4B30	30X30	131-1/2	36	

(Custom sizes are available.
Call us for details.)

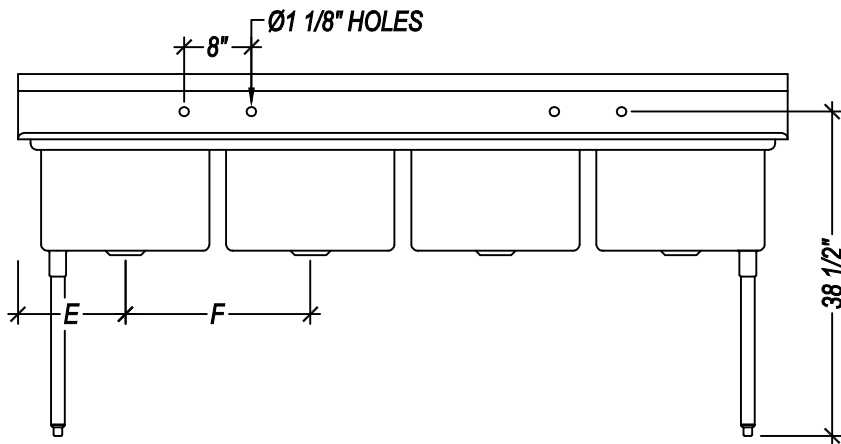


SPECIFICATIONS

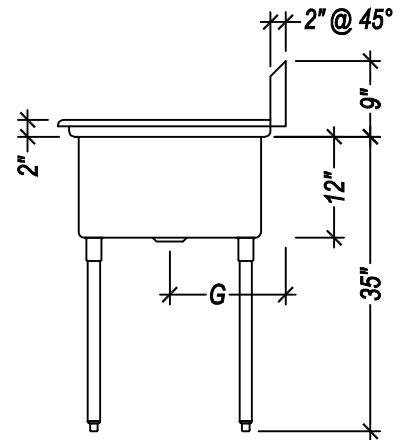
**STANDARD FOUR
COMPARTMENT SINKS
WITHOUT DRAINBOARDS**



PLAN VIEW



FRONT ELEVATION



SIDE ELEVATION

DIMENSIONS (in.)

****Weights shown are Standard Series.
See price lists for Spec-Line Series weights.**

MODEL	A	B	E	F	G	L	W	APPROX. WT. (lbs.)**
4B1618	16	18	10-3/4	18	12-1/4	75-1/2	24	140
4B18	18	18	11-3/4	20	12-1/4	83-1/2	24	150
4B1824	18	24	11-3/4	20	15-1/4	83-1/2	30	175
4B24	24	24	14-3/4	26	15-1/4	107-1/2	30	210
4B2028	20	28	12-3/4	22	17-1/4	91-1/2	34	165
4B2430	24	30	14-3/4	26	18-1/4	107-1/2	36	245
4B30	30	30	17-3/4	32	18-1/4	131-1/2	36	260

* To order Spec-Line Series, add a "14" to the end of the model number.

* Example "4B1824-14"