

FEATURES & CONSTRUCTION:

Our tables are of all-welded construction and no assembly is required.

All corners are fully welded and follow a square-edged design.

Our table tops are assembled with sound deadening tape.

Reinforcement runs underneath the entire length of the top.

Our table backsplash is 5" tall from the deck, with a 2" return at 45° and a standard 3/4" rear turn down.

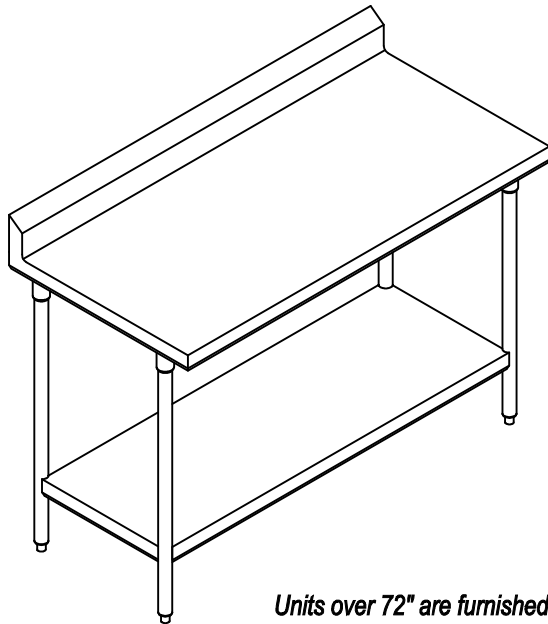
Legs are constructed of 1 5/8" dia. 16 gauge galvanized or stainless steel tubing.

Both Series offers the option of either 16 gauge **Galvanized Legs (GUB)** with adjustable plastic feet and 16 gauge S/S undershelf **OR** 16 gauge **Stainless Steel Legs (SUB)** with adjustable stainless steel feet and an 18 gauge S/S undershelf. (Both have stainless steel leg gussets.)

WE OFFER TWO SERIES CHOICES:

Our **STANDARD SERIES:** 16 Gauge Type 300 Series S/S Top

Our **SPEC-LINE SERIES:** 14 Gauge Type 300 Series S/S Top



Units over 72" are furnished with (6) legs.

STANDARD SIZES (in.)

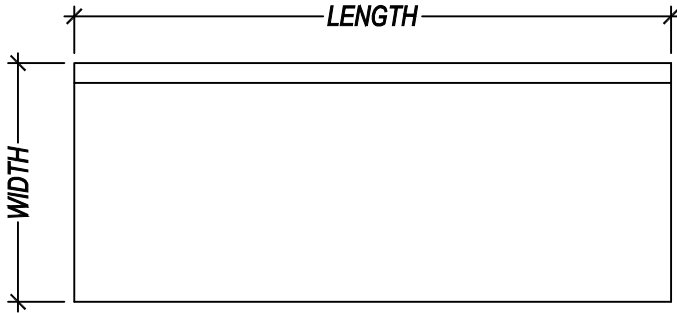
	24 WIDTH	30 WIDTH	36 WIDTH	LENGTH	HEIGHT
GUB MODELS	2GUB-24	2GUB-30	2GUB-36	24	40
	3GUB-24	3GUB-30	3GUB-36	36	
	4GUB-24	4GUB-30	4GUB-36	48	
	5GUB-24	5GUB-30	5GUB-36	60	
	6GUB-24	6GUB-30	6GUB-36	72	
	7GUB-24	7GUB-30	7GUB-36	84	
	8GUB-24	8GUB-30	8GUB-36	96	
	9GUB-24	9GUB-30	9GUB-36	108	
	10GUB-24	10GUB-30	10GUB-36	120	
	11GUB-24	11GUB-30	11GUB-36	132	
	12GUB-24	12GUB-30	12GUB-36	144	
	SUB MODELS	2SUB-24	2SUB-30	2SUB-36	
3SUB-24		3SUB-30	3SUB-36	36	
4SUB-24		4SUB-30	4SUB-36	48	
5SUB-24		5SUB-30	5SUB-36	60	
6SUB-24		6SUB-30	6SUB-36	72	
7SUB-24		7SUB-30	7SUB-36	84	
8SUB-24		8SUB-30	8SUB-36	96	
9SUB-24		9SUB-30	9SUB-36	108	
10SUB-24		10SUB-30	10SUB-36	120	
11SUB-24		11SUB-30	11SUB-36	132	
12SUB-24		12SUB-30	12SUB-36	144	

(Custom sizes are available.)

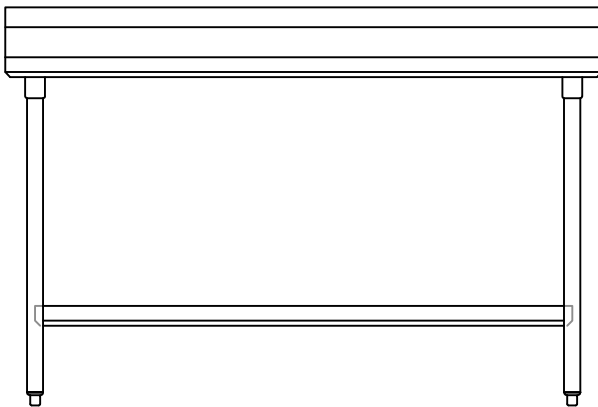
Call us for details.)



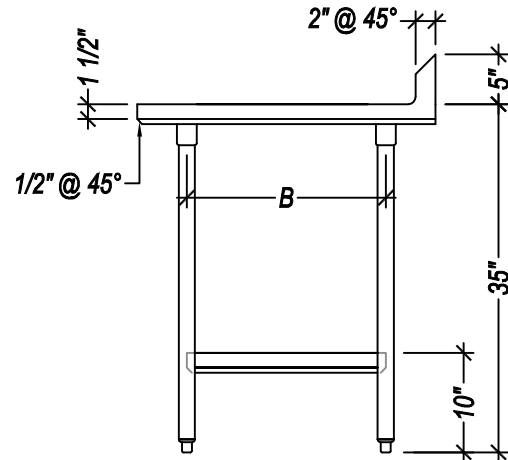
SPECIFICATIONS



PLAN VIEW



FRONT ELEVATION



SIDE ELEVATION



STANDARD BACKSPASH WORK TABLES WITH UNDERSHELF

DIMENSIONS (in.)

****Weights shown are Standard Series in lbs.
See price lists for Spec-Line Series weights.**

****24" Wide tables B= 17"
30" Wide tables B= 20"

	24 WIDTH	APPROX. WT.**	30 WIDTH	APPROX. WT.**	36 WIDTH	APPROX. WT.**	LENGTH
GUB MODELS	2GUB-24	87	2GUB-30	102	2GUB-36	107	24
	3GUB-24	102	3GUB-30	112	3GUB-36	122	36
	4GUB-24	117	4GUB-30	132	4GUB-36	137	48
	5GUB-24	137	5GUB-30	142	5GUB-36	147	60
	6GUB-24	152	6GUB-30	167	6GUB-36	172	72
	7GUB-24	177	7GUB-30	197	7GUB-36	207	84
	8GUB-24	202	8GUB-30	212	8GUB-36	222	96
	9GUB-24	212	9GUB-30	227	9GUB-36	242	108
	10GUB-24	227	10GUB-30	242	10GUB-36	257	120
	11GUB-24	242	11GUB-30	257	11GUB-36	272	132
	12GUB-24	257	12GUB-30	272	12GUB-36	292	144
	SUB MODELS	2SUB-24	87	2SUB-30	102	2SUB-36	107
3SUB-24		102	3SUB-30	112	3SUB-36	122	36
4SUB-24		117	4SUB-30	132	4SUB-36	137	48
5SUB-24		137	5SUB-30	142	5SUB-36	147	60
6SUB-24		152	6SUB-30	167	6SUB-36	172	72
7SUB-24		177	7SUB-30	197	7SUB-36	207	84
8SUB-24		202	8SUB-30	217	8SUB-36	222	96
9SUB-24		212	9SUB-30	227	9SUB-36	242	108
10SUB-24		227	10SUB-30	242	10SUB-36	257	120
11SUB-24		242	11SUB-30	257	11SUB-36	272	132
12SUB-24		257	12SUB-30	272	12SUB-36	292	144

***To order Spec-Line Series, add a "14" to the end of the model number.**