

Units over 72" are furnished with (6) legs.

**FEATURES & CONSTRUCTION:**

Our table cabinets are of all-welded construction and no assembly is required.

All corners are fully welded and follow a square-edged design.

Our table cabinet tops are constructed of 16 gauge type 300 series stainless steel.

The beverage sink measures 16" X 18" X 12" and is fully fabricated for consistent metal thickness through out the bowl.

Faucet holes (2) measuring 1 1/8" in diameter are punched on 4" centers into the deck.

The backsplash is 6" tall from the deck with a 2 1/2" return @ 45° and a standard 3/4" rear turn down.

A 2" X 4" junction box with stainless steel cover is supplied in the backsplash.

The cabinet top is fabricated with an inverted V no-drip edge.

A 1" X 5" um trough is built in and is supplied with a 1" anti-splash grate and a 1" stainless steel drain fitting.

The cabinet body and undershelves are constructed of 18 gauge type 300 series stainless steel.

A removable stainless steel panel is included to conceal plumbing components.

Legs are 1 5/8" O.D. 16 gauge stainless steel tubing and have adjustable stainless steel feet.

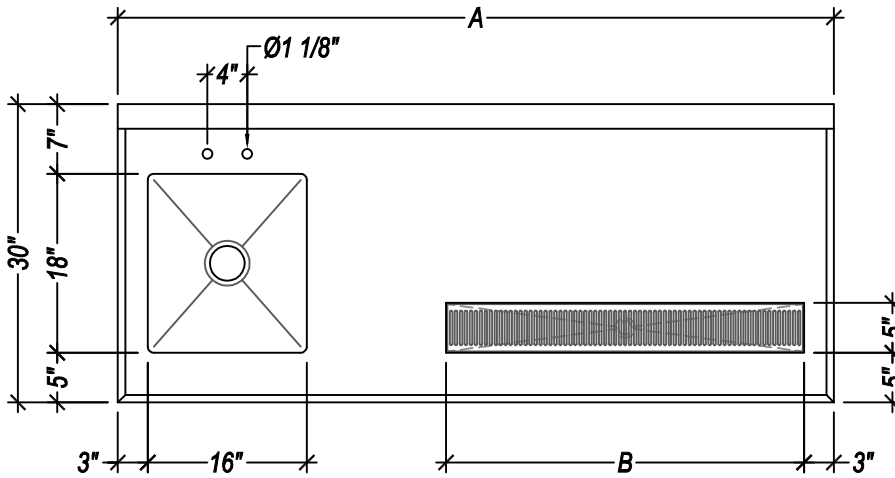
**STANDARD SIZES (in.)**

MODEL	LENGTH	WIDTH	HEIGHT
4TCB-30-BC	48	30	41
5TCB-30-BC	60		
6TCB-30-BC	72		
7TCB-30-BC	84		
8TCB-30-BC	96		

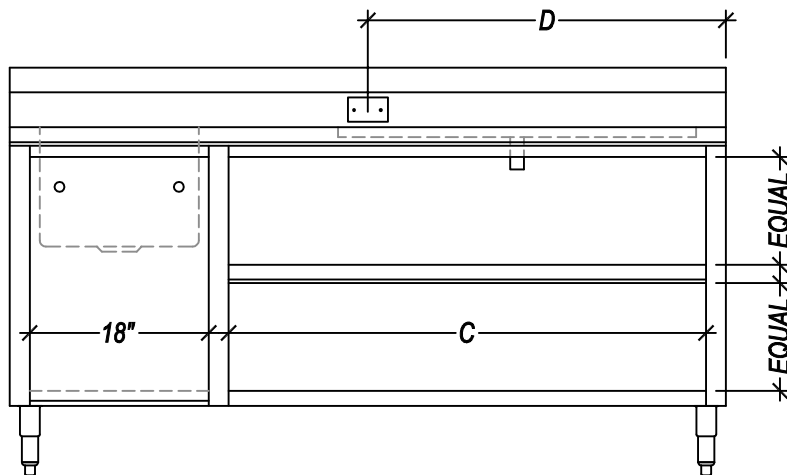
(Custom sizes are available.  
Call us for details.)

## SPECIFICATIONS

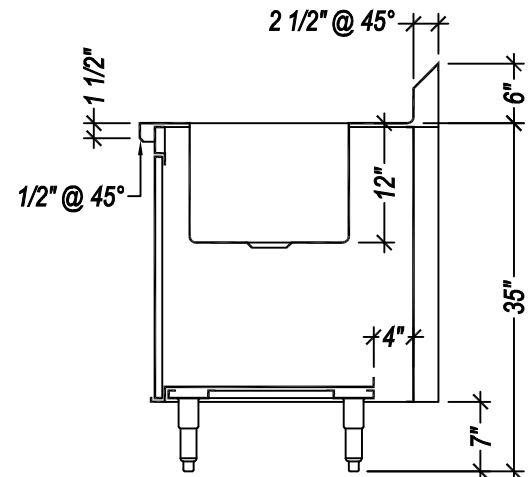
## STANDARD BEVERAGE COUNTER



**PLAN VIEW**



**FRONT ELEVATION**



**SECTION VIEW**

### DIMENSIONS (in.)

**\*\*Weights shown are Standard Series in lbs.**

MODEL	A	B	C	D	APPROX. WT.**
4TCB-30-BC	48	18	24	24	180
5TCB-30-BC	60	24	36	30	235
6TCB-30-BC	72	36	48	36	265
7TCB-30-BC	84	48	60	42	295
8TCB-30-BC	96	60	72	48	325