
**FEATURES & CONSTRUCTION:**

*Our mixer stands are of all-welded construction and no assembly is required.*

*The mixer stand is of all 16 gauge type 300 series stainless steel construction.*

*All corners are fully welded and follow a square-edged design.*

*Our table tops are fabricated to have a inverted v-edge on all sides and are assembled with sound-deadening tape.*

*Reinforcement runs underneath the entire length of the top.*

*The undershelf is constructed of 18 gauge type 300 series stainless steel or 18 gauge galvanized.*

*Legs are 1 5/8" dia. 16 gauge stainless steel with adjustable stainless steel feet or galvanized with adjustable plastic feet.*

**MSS denotes Stainless Steel legs and undershelf.**

**MSG denotes Galvanized legs and undershelf.**

*The utensil tree (UT) is constructed of 1 5/8" dia. 16 gauge stainless steel or galvanized tubing with four 6" x 3/8" diameter hanging prongs.*

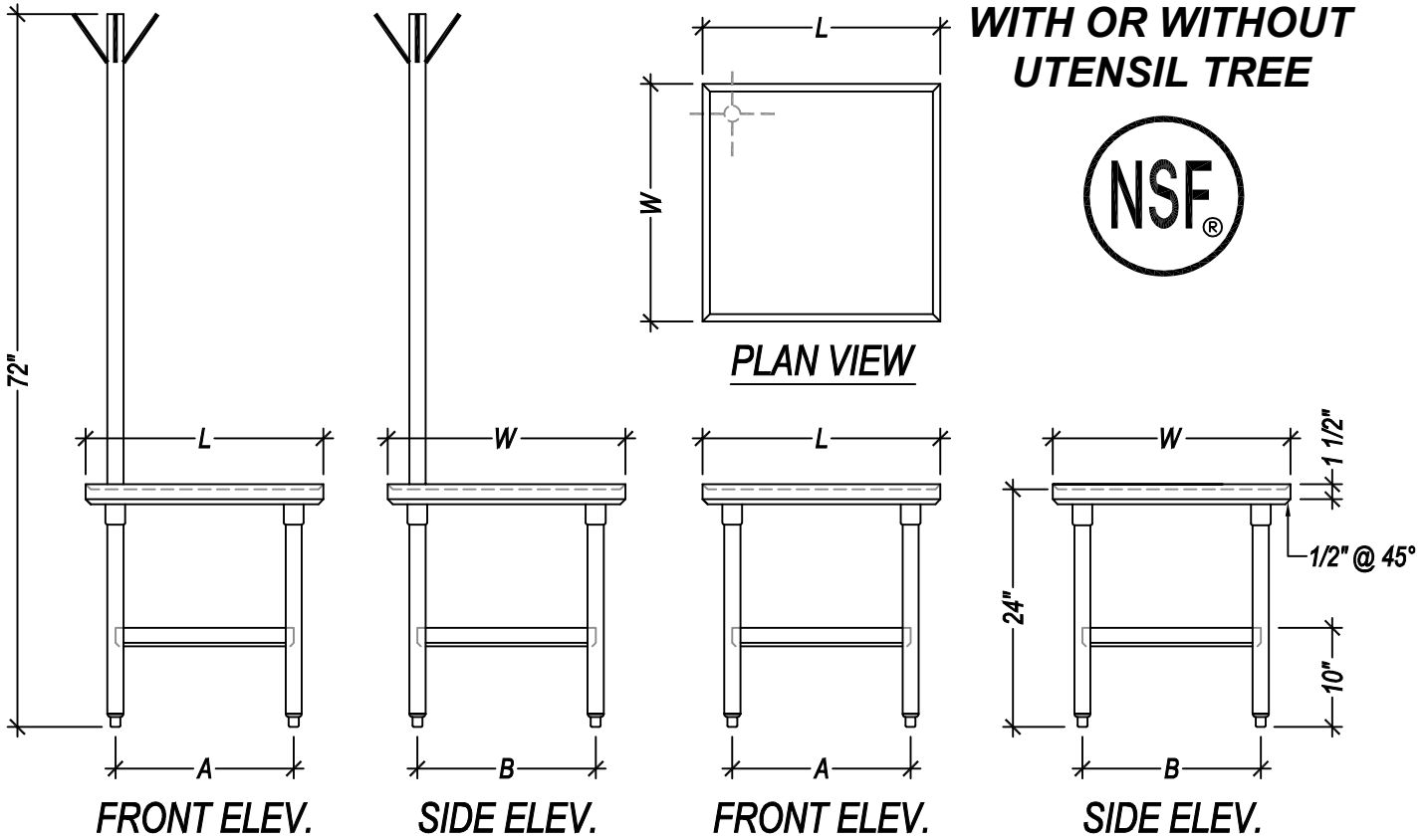
**STANDARD SIZES (in.)**

<b>MSS MODELS</b>	<b>MSG MODELS</b>	<b>LENGTH</b>	<b>WIDTH</b>	<b>HEIGHT</b>
2MSS-24	2MSG-24	24	24	24
2MSS-30	2MSG-30	30	24	
30MSS-30	30MSG-30	30	30	
3MSS-24	3MSG-24	24	36	
3MSS-30	3MSG-30	30	36	
3MSS-36	3MSG-36	36	36	
4MSS-24	4MSG-24	24	48	
4MSS-30	4MSG-30	30	48	
3MSSUT-24	3MSGUT-24	24	36	72
30MSSUT-24	30MSGUT-24	24	30	
30MSSUT-30	30MSGUT-30	30	30	
3MSSUT-30	3MSGUT-30	30	36	

*(Custom sizes are available.  
Call us for details.)*

## SPECIFICATIONS

## STANDARD MIXER STAND WITH OR WITHOUT UTENSIL TREE



### DIMENSIONS (in.)

\*\*Weights shown are Standard Series in lbs.

MSS MODELS	APPROX. WT.**	MSG MODELS	APPROX. WT.**	L	W	A	B
2MSS-24	50	2MSG-24	50	24	24	20	14
2MSS-30	60	2MSG-30	60	30	24	26	14
30MSS-30	65	30MSG-30	65	30	30	26	20
3MSS-24	70	3MSG-24	67	24	36	20	26
3MSS-30	75	3MSG-30	75	30	36	26	26
3MSS-36	83	3MSG-36	80	36	36	32	26
4MSS-24	95	4MSG-24	93	24	48	20	38
4MSS-30	105	4MSG-30	103	30	48	26	38
3MSSUT-24	60	3MSGUT-24	60	24	36	20	26
30MSSUT-24	70	30MSGUT-24	70	24	30	20	20
30MSSUT-30	75	30MSGUT-30	75	30	30	26	20
3MSSUT-30	85	3MSGUT-30	85	30	36	26	26